

# KEL-BES-S split cable gland with brush strips

for cable pass-through, thread sizes M32 / M50



For round metric cut-outs M32/M50 icotek offers the split cable gland with brush strips KEL-BES-S round. It can be either directly snapped into the cut-out or screwed with a locknut, which is included in the shipment.

Split cable glands with brush strips KEL-BES-S are suited for routing cables into server racks, control panels and electrical enclosures. Due to the split frame the KEL-BES-S can also be subsequently installed around the routed cables.

**Note:** Snap-in mounting possible if wall thickness is 1 - 2.5 mm. For wall thickness < 1 mm and > 2.5 mm, a locknut must be used.



RoHS  
compliant



Made in  
Germany

## Specifications

<b>Material</b>	Polycarbonate Brushes: Polyamide
<b>Flame class</b>	UL94-V0, self-extinguishing
<b>Operating temperature</b>	-20 C° to 90 C°
<b>Properties</b>	silicone free, halogen free
<b>Mounting options</b>	Fasten with locknut, Snap-in

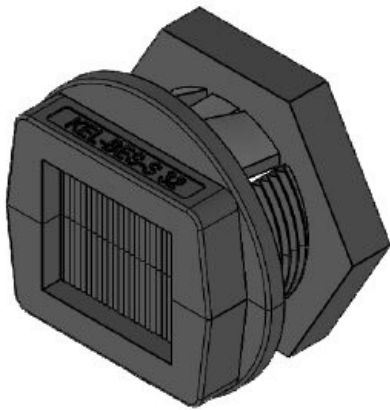
## Advantages & benefits

- Fast and easy assembly
- Subsequent assembly possible
- Versatile utilisation
- Allows reduced airflow while filtering out dust, hair and larger particulate matter
- Visual screening
- Protects cables against wear due to sharp edges of the cut-out

## Product types & sizes

**KEL-BES-S 32**

Part No.	<b>51538</b>	Thread	<b>M32 × 1,5</b>
EAN	<b>4251269318</b>	Thread length	<b>20 mm</b>
	<b>702</b>	For min. wall thickness	<b>1 mm</b>
Package quantity	<b>10</b>	For max. wall thickness	<b>2,5 mm</b>
Mounting height	<b>10 mm</b>		
External diameter	<b>46 mm</b>		
Cut-out size, metric	<b>M32</b>		
Cut-out size, round	<b>32,3 mm</b>		

**KEL-BES-S 50**

Part No.	<b>51540</b>	Thread	<b>M50 × 1,5</b>
EAN	<b>4251269318</b>	Thread length	<b>20 mm</b>
	<b>306</b>	For min. wall thickness	<b>1 mm</b>
Package quantity	<b>10</b>	For max. wall thickness	<b>2,5 mm</b>
Mounting height	<b>10 mm</b>		
External diameter	<b>62,5 mm</b>		
Cut-out size, metric	<b>M50</b>		
Cut-out size, round	<b>50,4 mm</b>		

